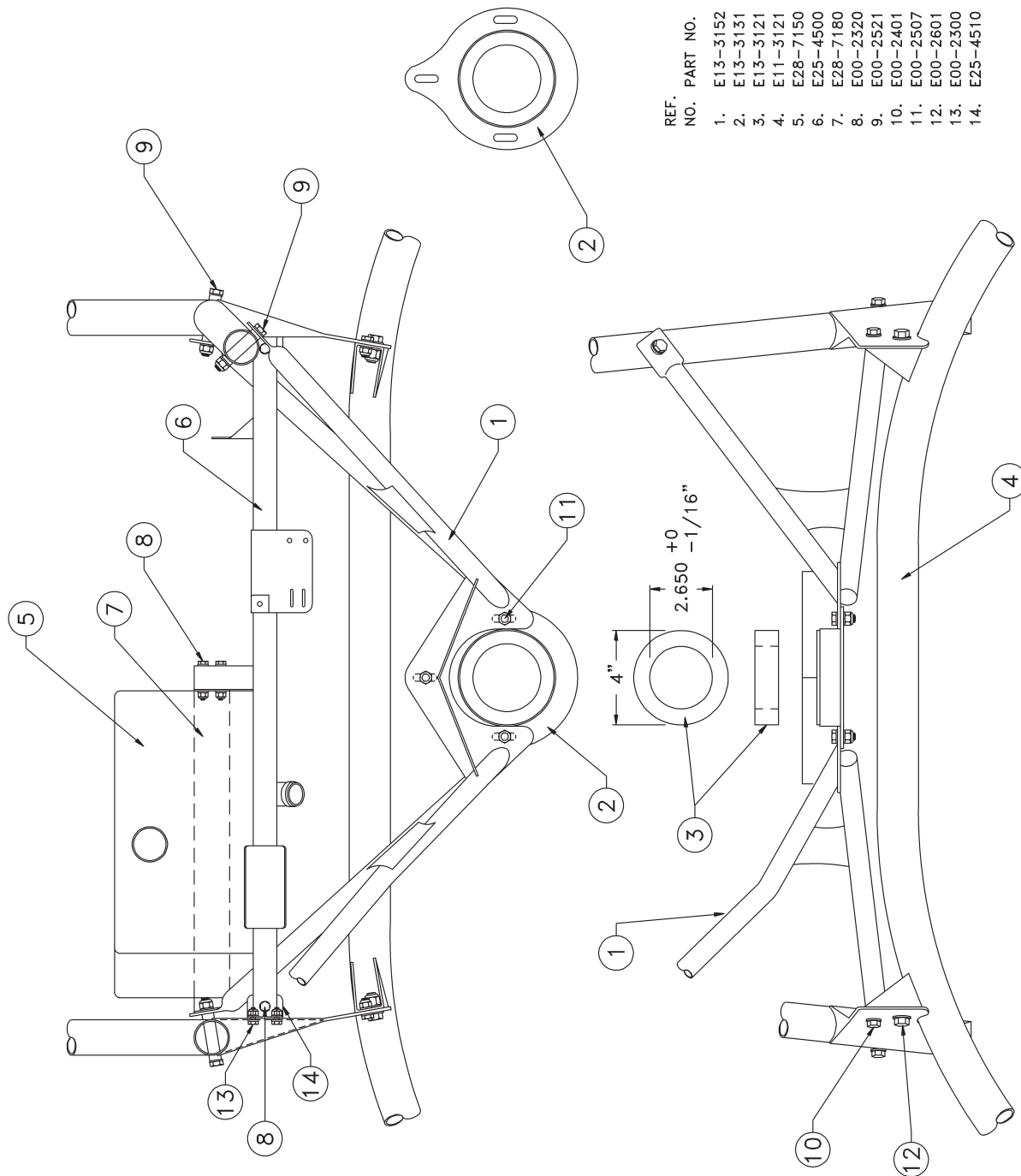


1 2 3 4 5 6 7 8 9

A B C D E



REF. NO.	PART NO.	PART NAME	QTY.
1.	E13-3152	ENGINE MOUNT WELDMENT.....	1
2.	E13-3131	ENGINE MOUNT SUPPORT RING.....	1
3.	E13-3121	ENGINE MOUNT RUBBER RING.....	1
4.	E11-3121	REAR LANDING GEAR WELDMENT.....	1
5.	E28-7150	OIL SUMP/HEAT EXCHANGER.....	1
6.	E25-4500	FUEL SYSTEM MOUNT TUBE.....	1
7.	E28-7180	SUMP STRAP 1-1/2 X .063.....	1
8.	E00-2320	BOLT 3/16 X 1-1/2.....	4
9.	E00-2521	BOLT 5/16 X 2-5/8.....	4
10.	E00-2401	BOLT 1/4 X 3/4.....	2
11.	E00-2507	BOLT 5/16 X 1.....	3
12.	E00-2601	BOLT 3/8 X 1.....	2
13.	E00-2300	BOLT 3/16 X 1/2.....	4
14.	E25-4510	MOUNTING TABS (1 MAKES 2).....	2

ROTORWAY INTERNATIONAL
 CHANDLER, ARIZONA
 SCALE: NONE APPROVED BY: _____
 DRAWN BY: WAAR
 DATE: 5-2-94 REVISED 8-19-96

8-19-96 REVISION 3: (3) WAS P/N E13-3120
 5-29-96 REVISION 2: (1) WAS P/N E13-3151
 9-09-94 REVISION 1: ADD MOUNT TUBE (6)

ENGINE MOUNT
 DRAWING NUMBER:
 E13-2000-3